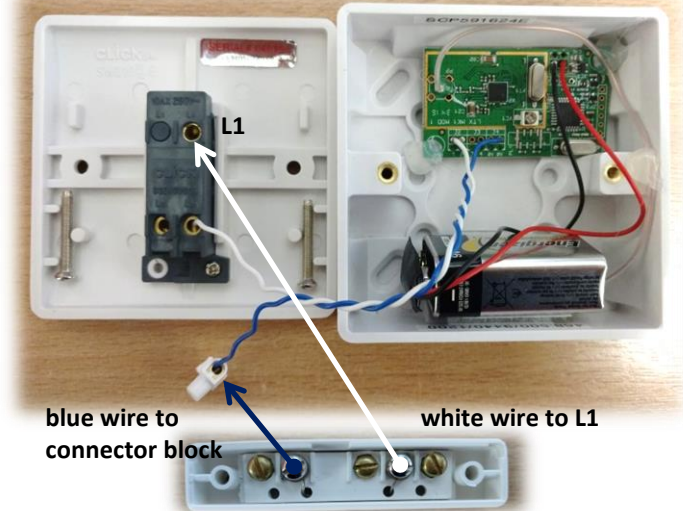


Product Instructions

SPTX-DR-KS2 (V1.5) Door Monitor Transmitter Direct to Pager Door Monitor Transmitter with Keyswitch

- Paging Message sent direct to Pager
- ON/OFF Fish Tail key switch
- No control box required
- Compatible with GEO28 & GEO84ZM Pager
- Up to 30m Range
- Surface back box supplied



1. The control unit should be fitted on the wall beside the door frame (on the secure side of the door). A **surface back box** (30mm Ext. depth) is supplied with the unit, flush units can be fitted if required.

METAL BACK BOXES MUST NOT BE USED

1. The Fishtail Keyswitch L2 is already connected to the control box J2
2. Connect the blue wire from the silver screw to the connector block on the blue wire (as above) the white wire connects the middle silver screw to L1 on the fishtail switch
3. Fit the magnetic contact to the door, on the leading edge of the door (above the door handle) fit the magnetic switch with the terminals to the door frame.
4. The gap between the magnetic contact and the switch must not exceed 15 mm.
5. The fish tail keyswitch enables the door monitor to be turned ON or OFF (upwards).
6. Test the system by closing the door, put the switch ON, open the door, the LED will illuminate and the pager will respond, accept the call on the pager
7. Reset the transmitter at the door with the RESET KEY (the door can be open or closed. If the key position is ON and the door is closed, the next time the door is opened it will transmit.

Power

PP3 9v Battery

Dimensions

84mm X 84mm

Magnetic Switch

Surface Switches are supplied

Flush Switches are available - M1F

Compatibility

GEO28R, GEO85ZM portable pager

