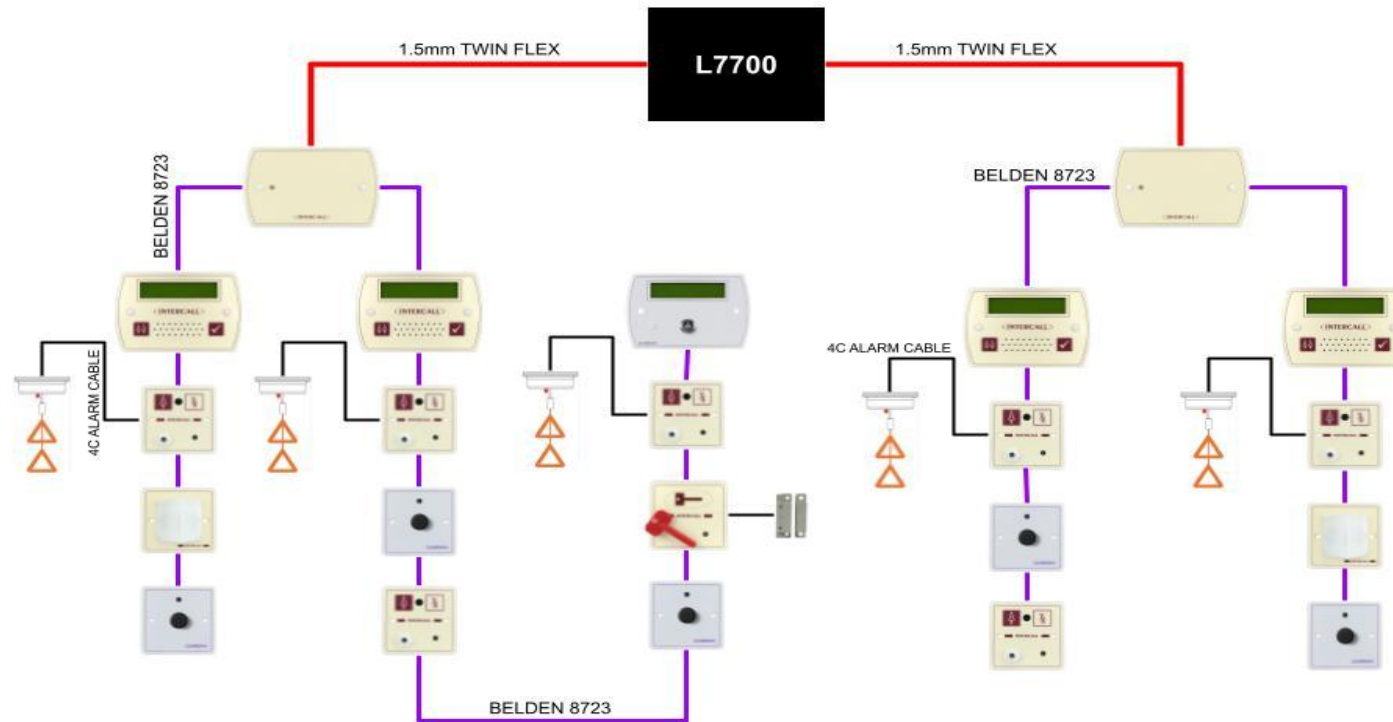


INTEGRATED EMERGENCY CALL SYSTEM CONCEPT

STAFF ATTACK NURSECALL CELLCALL ACCESSIBLE WC



- **SPINE CABLES** – Between Power Supply & FJB2s – **1.5 MM TWIN FLEX** *and* if Audio is required, a **BELDEN 8760** – **MAX Spine length 100m**
- **NETWORK CABLES** – From FJB to devices – **BELDEN 8723** – **MAX 60m per leg**, (We recommend *no more than* 10 devices per leg from FJB2)
- *No more than 100 current units on any one FJB2, and no more than 500 current units on any one L7700 Controller.*



L746 Addressable Overdoor Light



DISP1 Non Audio Keyswitch Display



L758 Audio Display



AIRX7 Addressable IR Receiver



L722 Addressable IR Callpoint



L753 Addressable IR Audio Callpoint



FJB2 Fused Distribution Board



L733 Addressable Door Monitor



L762 Addressable IR Audio Call/Display



NP2 2m Pearpush Lead



M15 Door Contact (N/O)



L126 Ceiling Pullswitch